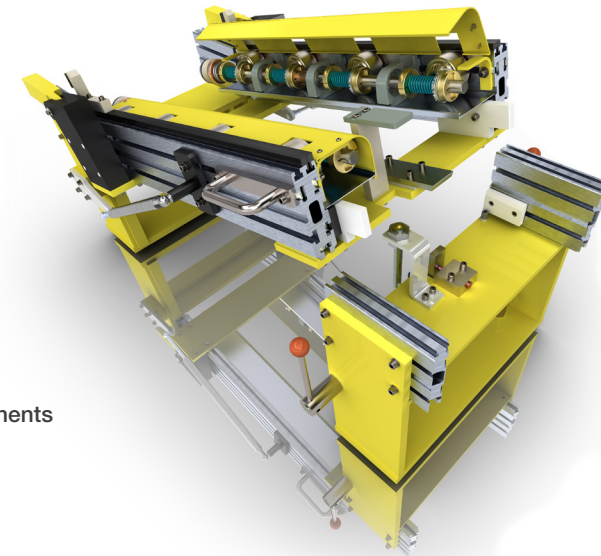


# SolidWorks Routing 2012 Training Course

**Course Outline**    Duration: 3 days • Prerequisites: SolidWorks Essentials

- LESSON 1** Fundamentals of Routing
- LESSON 2** Basic Electrical Routing
- LESSON 3** Routing With Clips
- LESSON 4** Electrical Routing Components
- LESSON 5** Standard Cables
- LESSON 6** Electrical Data Import
- LESSON 7** Electrical Drawings
- LESSON 8** Electrical Ribbon Cables
- LESSON 9** Electrical Conduits
- LESSON 10** Piping Routes
- LESSON 11** Piping Fitting
- LESSON 12** Tubing Routes
- LESSON 13** Piping and Tubing Changes
- LESSON 14** Pipe and Tube Routing Components
- LESSON 15** Using P&ID Files
- LESSON 16** Piping Skids
- LESSON 17** Using SolidWorks Content



## Training Content

### LESSON 1

#### Fundamentals of Routing

- What is Routing?
- Routing Setup
- General Routing Settings

### LESSON 2

#### Basic Electrical Routing

- Basic Electrical Routing
- Adding Routing Components
- Start by Drag and Drop Connector
- Auto Route
- Save to External File

### LESSON 3

#### Basic Part Modelling

- Routing with Clips
- Routing Through Existing Clips
- Adding Clips while Auto Routing
- Editing a Route
- Working with Clips
- Splitting a Route

### LESSON 4

#### Electrical Routing Components

- Routing Library Parts Introduction
- Electrical Routing Library Parts
- Libraries
- Routing Component Wizard
- Routing Component Attributes
- Electrical Libraries

### LESSON 5

#### Standard Cables

- Using Standard Cables
- Standard Cables Excel File
- Modifying Standard Cables
- Creating a Standard Cable
- Routing Templates

### LESSON 6

#### Electrical Data Import

- Importing Data
- Routing Library Manager
- From/To Lists
- Route Properties
- Route Guidelines
- Using Guidelines and Clips

### LESSON 7

#### Electrical Drawings

- Route Flattening and Detailing
- Annotation Flattening
- Flatten Route
- Highlight Search
- Manufacture Flattening

### LESSON 8

#### Electrical Ribbon Cables

- Electrical Ribbon Cables
- Ribbon Cable Components
- Auto Routing Ribbon Cables
- Using Ribbon Cable Clips
- Through Connectors
- Ribbon Cable Libraries

AUSTRALIA  
1300 CAD CAM (223 226)  
www.intercad.com.au

NEW ZEALAND  
0508 CAD CAM (223 226)  
www.intercad.co.nz

| SYDNEY | MELBOURNE | BRISBANE | PERTH | ADELAIDE | AUCKLAND | CHRISTCHURCH |

 **SOLIDWORKS**  
LET'S GO DESIGN

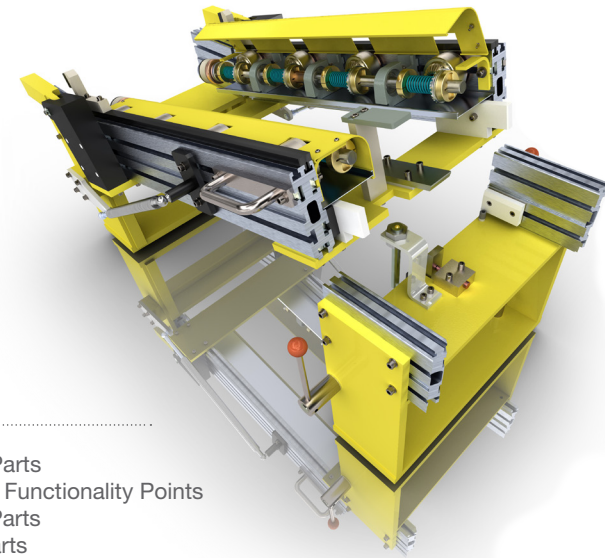


continued over page...



# SolidWorks Routing 2012 Training Course

Duration: 3 days • Prerequisites: SolidWorks Essentials



## Training Content

### LESSON 9

#### Electrical Conduits

- Electrical Conduits
- Rigid Conduit
- Orthogonal Routing with Auto Route
- Electrical Data in Conduits
- Manual Sketch Routing
- Flexible Electrical Conduit

### LESSON 10

#### Piping Routes

- Piping Routes
- Pipes and Piping Components
- Routing Templates
- Creating a Piping Route
- Auto Route
- Using Routing Components with Auto Route
- Editing a Route
- Drag and Drop a Component
- Creating Custom Components
- Interferences and Clearances

### LESSON 11

#### Piping Fittings

- Pipe Fittings
- Drag and Drop a Fitting
- Creating Custom Fittings

### LESSON 12

#### Tubing Routes

- Tubing Routes
- Tubes and Tubing Components
- Flexible Tubing with Auto Route
- Orthogonal Tubing Routes with Auto Route
- Bend and Spline Errors
- Starting a Tube Route On the Fly
- Tubing Drawings

### LESSON 13

#### Piping and Tubing Changes

- Piping and Tubing Changes
- Pipe Penetrations
- Flange to Flange Connections
- Copying Routes
- Editing Piping Routes
- Editing for Obstructions
- Piping Drawings

### LESSON 14

#### Pipe and Tube Routing Components

- Routing Library Parts
- Libraries
- Creating Routing Library Parts
- Pipe and Tube Parts
- Pipe Parts

- Fitting Parts
- Routing Functionality Points
- Elbow Parts
- Tube Parts
- Multi-Body Components
- Equipment
- Assembly Fittings

### LESSON 15

#### Using P&ID Files

- Piping and Instrumentation
- Adding a Pipe
- Pipe with Multiple Lines
- Pipe with In-lines Fittings
- Process Drawings

### LESSON 16

#### Using P&ID Files

- Piping Skids
- Grid System Feature
- Weldments
- Walk-through Animations
- Avatar Paths

### LESSON 17

#### Using SolidWorks Content

- Using SolidWorks Content
- Creating a Routing Settings File

AUSTRALIA  
1300 CAD CAM (223 226)  
www.intercad.com.au

NEW ZEALAND  
0508 CAD CAM (223 226)  
www.intercad.co.nz

| SYDNEY | MELBOURNE | BRISBANE | PERTH | ADELAIDE | AUCKLAND | CHRISTCHURCH |

 **SOLIDWORKS**  
LET'S GO DESIGN

